

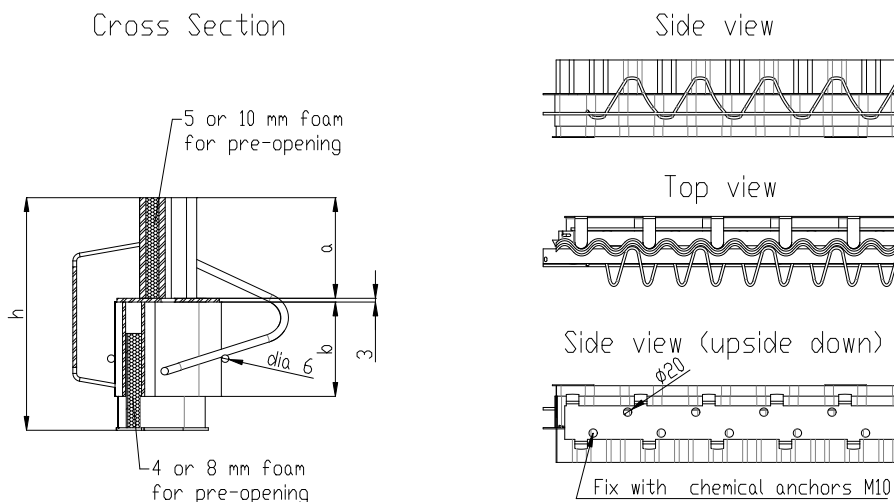
Cosinus Connect



STEEL QUALITY	EN 10025-2:2004 - S235JR, cold drawn NBN A 24-302 - BE 500 TS EN 10111:2008 - DD14
MATERIAL THICKNESS	2 x 5 mm (13/64") upper Sinus waves Horizontal plates 2 x 35 x 3 mm (5/64") 2 x 2 mm (5/64") bottom Cosinus waves
HEIGHT ADAPTATION	Adjustable steel plate 1 x 1,5 mm (1/16")
PROFILE LENGTH	2,60 m (+ 5 mm / - 10 mm) (8.53 ft +13/64" / - 25/64")
JOINT OPENING	Optimal and recommended up to 15 mm (19/32"), load transfer possible up to 25 mm (1") Always pre-open with 5 or 10 mm foam
ANCHORAGE	Side 1: Patented, especially 3D formed rebar Ø 6 mm (15/64") as continuous anchorage Side 2: special 2 mm connect plate allowing the Anchorage into existing concrete floor slabs.
VERSIONS	Natural steel / Galvanized / Stainless steel AISI 304 or AISI 316
PALLET SIZE	Length 2,60 m (8.53 ft), Width 1,15 m (3.77 ft), height see table

Profile Type	Slab Thickness h [mm] [inch]	Sinus a [mm] [inch]	Cosinus b [mm] [inch]	Adjust. plate c [mm] [inch]	Weight [kg/m] [lbs/ft]	Weight [kg/pc] [lbs/pc]	Quantity [pcs/pal.]	Quantity [m/pal.] [ft/pal.]	Gross Weight [kg/pal.] [lbs/pal.]	Pallet Height [m] [ft]
115/160	115 - 160 (4 1/2 - 6 3/8)	50 (1 31/32)	60 (2 23/64)	60 (2 23/64)	12,31 (8.27)	32,00 (70.55)	6 x 7 = <u>42</u>	109,20 (359.27)	1400 (3090)	1,10 (3.61)
160/215	160 - 215 (6 3/8 - 8 1/2)	80 (3 5/32)	75 (3)	75 (3)	17,19 (11.55)	44,70 (98.55)	6 x 6 = <u>36</u>	93,60 (307.09)	1660 (3660)	1,25 (4.10)
205/300	205 - 300 (8 5/64 - 11 13/16)	80 (3 5/32)	120 (4 3/4)	120 (4 3/4)	19,78 (13.29)	51,43 (113.38)	5 x 4 = <u>20</u>	52,00 (170.60)	1080 (2380)	1,15 (3.77)
255/370	255 - 370 (10 - 14 9/16)	80 (3 5/32)	170 (6 11/16)	170 (6 11/16)	22,50 (15.12)	58,50 (128.97)	5 x 2 = <u>10</u>	26,00 (85.30)	635 (1400)	0,80 (2.62)

For further information with regards to the installation, please consult the Cosinus Slide® installation guide. For calculations, validations and optimal use of the joints for your respective projects, please contact your local dealer or send a request to info@hcjoints.be.



Document issued July 2024. Hengelhoef Concrete Joints nv. reserves the right to alter the products without notice.
©COPYRIGHT 2024 by Hengelhoef Concrete Joints nv.



HENGELHOEF
CONCRETE JOINTS

Hengelhoefstraat 158, Poort Genk 0420, B-3600 Genk
T. +32 (0)89 32 39 80 · F. +32 (0)89 32 39 88
E. info@hcjoints.be



www.hcjoints.be