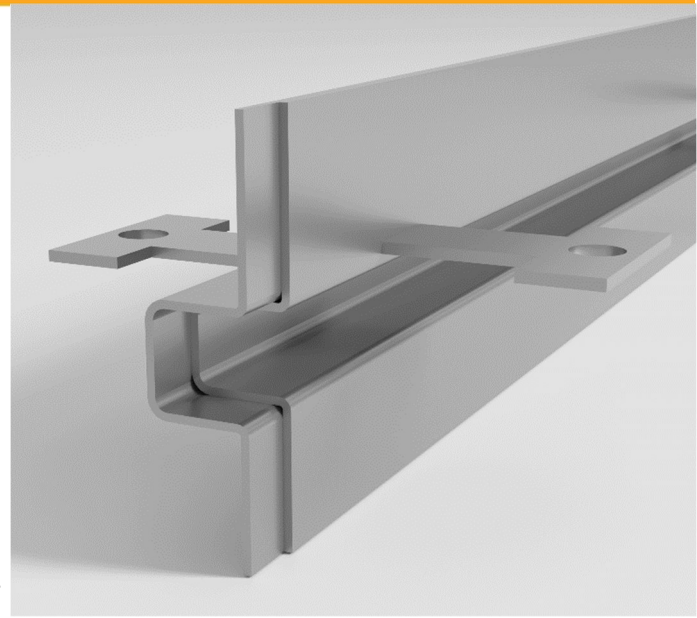


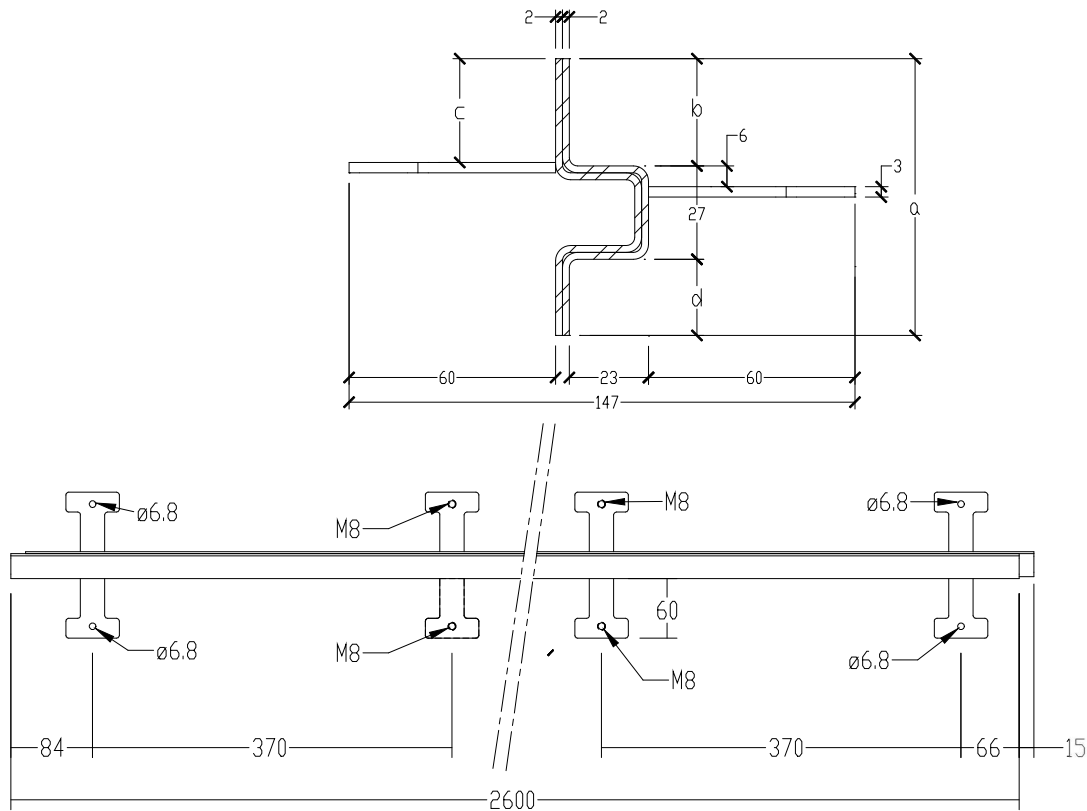
# HC-Mini Omega



<b>STEEL QUALITY</b>	EN 10025 - S235, cold drawn
<b>MATERIAL THICKNESS</b>	2 x 2 mm
<b>PROFILE LENGTH</b>	2,60 m (+ 5 mm /- 10 mm) for galvanized 2,00 m (+ 5 mm /- 10 mm) for other materials
<b>JOINT OPENNING</b>	up to 10 mm
<b>ANCHORAGE STUDS</b>	3 mm flat, T-shaped plate for connecting of anchorage bolts, distance 370 mm, holes of 6,8mm for screws/bolts, 4 T-anchors equipped with M8 thread for levelling.
<b>VERSIONS</b>	Galvanized (zinc/aluminum/magnesium) / stainless / aluminium  Optional with +/- 5 mm pre-opening and foam sealing strip type BG1 4-15 x 15 mm, top & bottom

Height a [mm]	Slab thickness [mm]	b [mm]	c [mm]	d [mm]	Weight [kg/m]	Weight* [kg/pc]	Pcs/pallet* [pcs]	m/pallet* [m]	Gross Weight* [kg/pal.]
60	70-80	21	18	12	3,37	8,76	200	520,0	1830
80	90-100	31	28	22	4,03	10,48	170	442,0	1860
100	110-120	41	38	22	4,65	12,09	130	338,0	1650

\* these values are for galvanized joints, quantities per pallet and Gross weight for other materials differ.



Document issued August 2024. Hengelhoeof Concrete Joints nv. reserves the right to alter the products without notice.  
©COPYRIGHT 2024 by Hengelhoeof Concrete Joints nv.



**HENGELHOEF**  
**CONCRETE JOINTS**

Hengelhoeofstraat 158, Poort Genk 0420, B-3600 Genk  
T. +32 (0)89 32 39 80 · F. +32 (0)89 32 39 88  
E. info@hcjoints.be

[www.hcjoints.be](http://www.hcjoints.be)